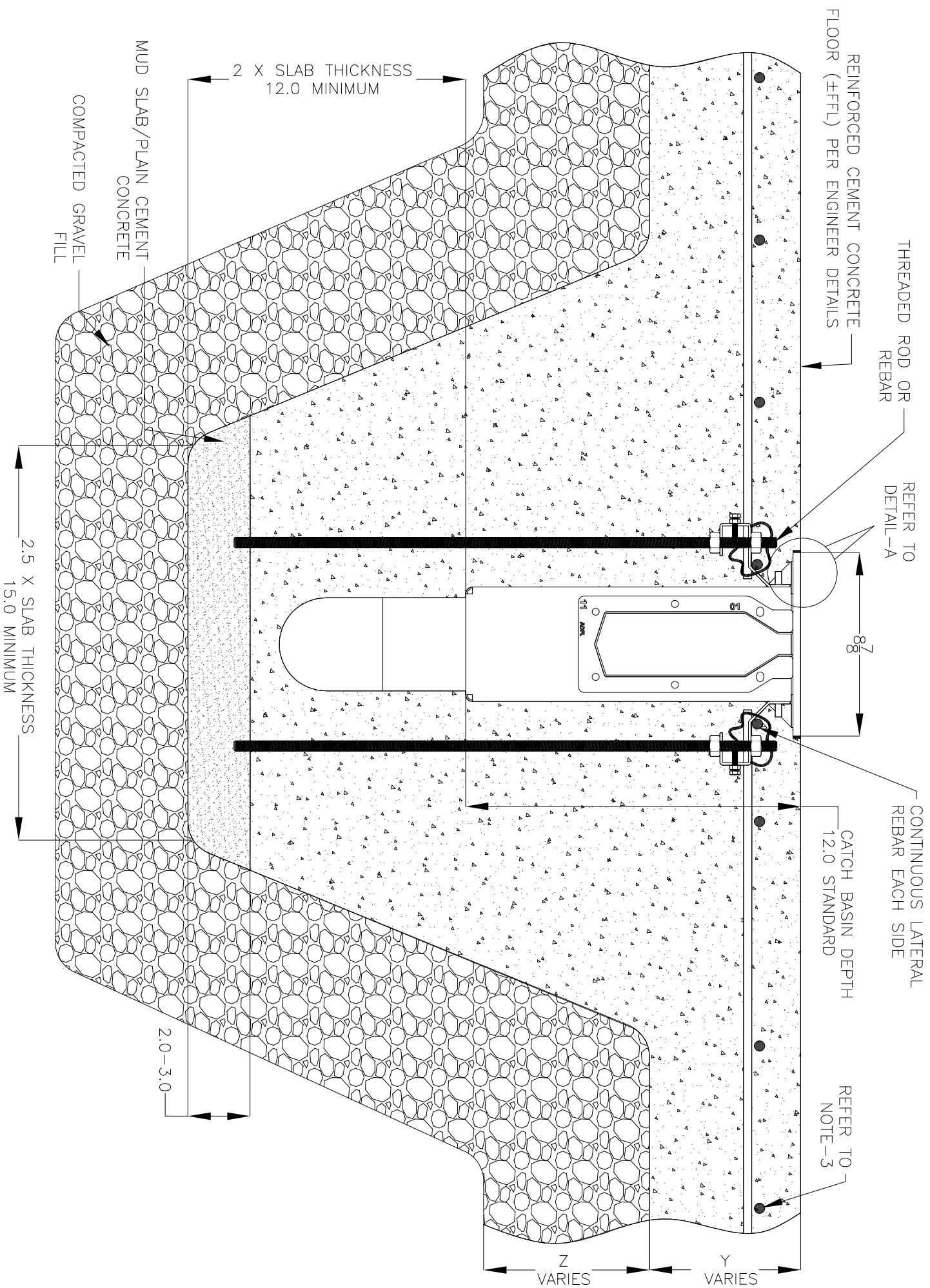
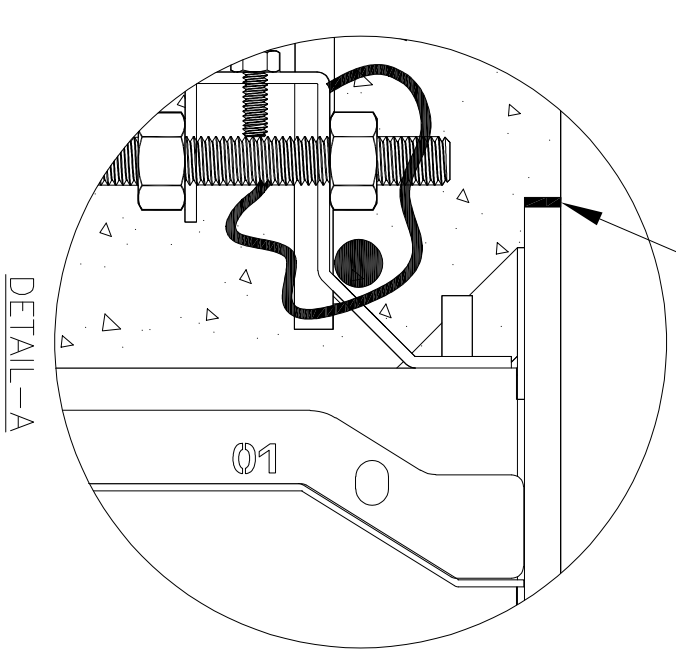
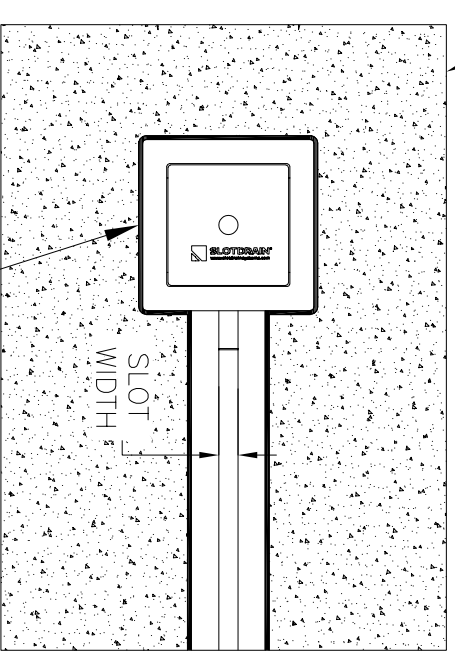


NOTES: UNLESS OTHERWISE SPECIFIED

1. ALL DIMENSIONS ARE IN INCHES.
2. CATCH BASIN BODY MATERIAL: 14GA STAINLESS STEEL T304/T316
3. SPECIFYING ENGINEER IS RESPONSIBLE FOR CONCRETE ENGAGEMENT AND REINFORCING BASED UPON APPLICATION AND LOCAL CODES.
4. REFER TO <https://info.slotdrainsystems.com/installresources> FOR INSTALLATION INSTRUCTIONS.



REINFORCED CEMENT CONCRETE FLOORING  
(±FFL) PER ENGINEER DETAILS



REVISIONS		DATE	BY
REV	DESCRIPTION		
0	INITIAL RELEASE - R0	11/20/2019	DK
1	UPDATED DRAWING LAYOUT & REBAR DETAILS	7/14/2021	DK
2	UPDATED WITH GLOBAL DRAIN TEMPLATE	3/19/2024	DK

6X6X12 CATCH BASIN INSTALLATION DETAILS



DRAWING TITLE  
CONCRETE FLOOR-NEW CONSTRUCTION INSTALLATION

DWG NO.	SIZE	SCALE	SHEET	REV.
IN-6X6X12FGPIT-001-R2	B	NTS	1 OF 1	2

ALL DRAWINGS ARE THE EXCLUSIVE PROPERTY OF SLOT DRAIN SYSTEMS. ANY REPRODUCTION IN PART OR IN WHOLE IS PROHIBITED WITHOUT PROPER CONSENT.